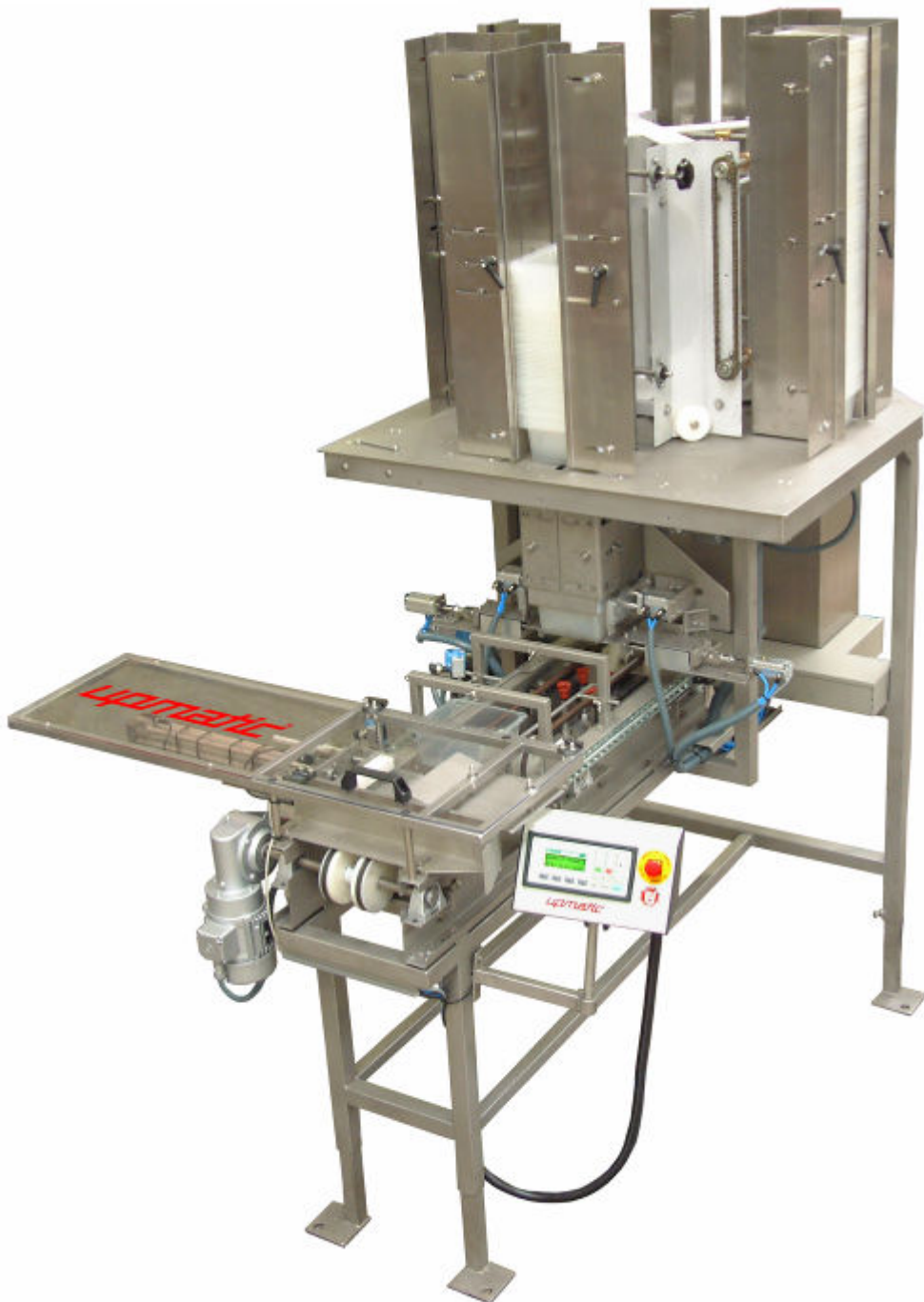


# Upmatic® 606-4E

english



**Upmatic Typ 606-4E = fully automatic box dispenser with a magazine capacity of approx. 600 boxes.** The Upmatic 606-4E separates the boxes from the four magazines fully automatic. The boxes are sucked by a vacuum unit out of the magazine while the reserved boxes are held tight pneumatically. The separated boxes are put down onto a transport belt. Then the boxes are conveyed separately or collected to the cassette belt.

When a magazine is empty the turning unit changes to the next magazine into the separation position (fully automatic).



In our customers' interest we reserve the right to introduce technical changes.

# Upmatic® 606-4E

english



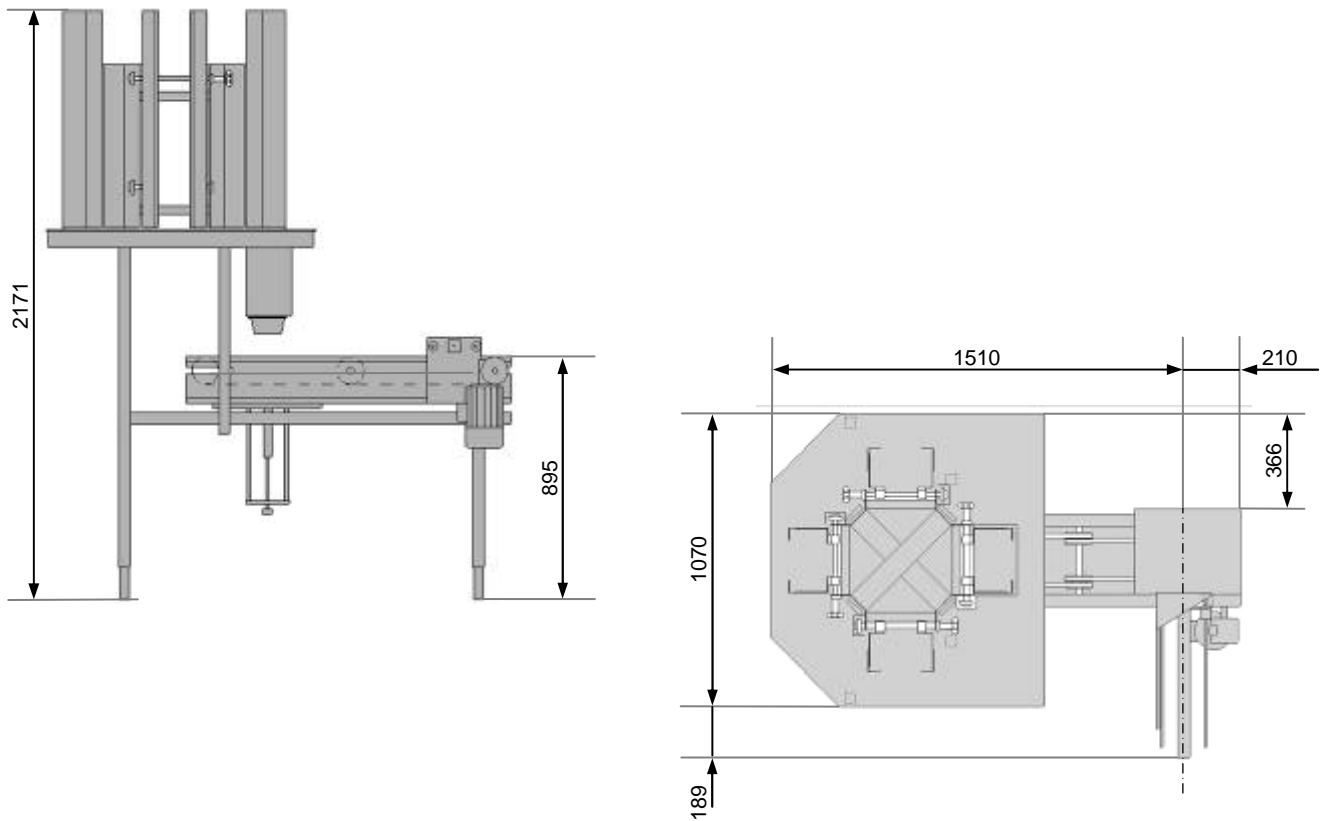
**Upmatic Typ 606-4E = fully automatic box dispenser with a magazine capacity of approx. 600 boxes.** The Upmatic 606-4E separates the boxes from the four magazines fully automatic. The boxes are sucked by a vacuum unit out of the magazine while the reserved boxes are held tight pneumatically. The separated boxes are put down onto a transport belt. Then the boxes are conveyed separately or collected to the cassette belt.

When a magazine is empty the turning unit changes to the next magazine into the separation position (fully automatic).



In our customers' interest we reserve the right to introduce technical changes.

# Upmatic® 606-4E



## Models:

**Upmatic 606-4E:** machine completely in stainless steel  
See illustrations and explanatory text.

## Technical data:

- capacity: approx. 50 cycles/min.
- power supply: 230/400 V, 50 Hz
- power consumption: 1,0 kW
- air pressure: 6 bar
- air consumption: 6 l/cycle
- weight: 250 kg
- magazines capacity: approx. 600 boxes, it depends on the boxes measurements
- box measurements: length: 190mm up to 255mm  
width: 145mm up to 165mm  
height: up to 75mm  
other measurements for require



## Accessories:

- push out-unit and push in-unit optional for single or collected push out or for single or collected push in
- cassette belts
- filling units
- transport belts in individual sizes

**UPMANN**   
**VERPACKUNGSMASCHINEN**

Burgsteinfurter Damm 185 · D-48432 Rheine-Mesum  
phone +49 59 75 / 92 81-0 · fax +49 59 75 / 92 81-10  
Internet [www.upmann.de](http://www.upmann.de) · e-mail [info@upmann.de](mailto:info@upmann.de)